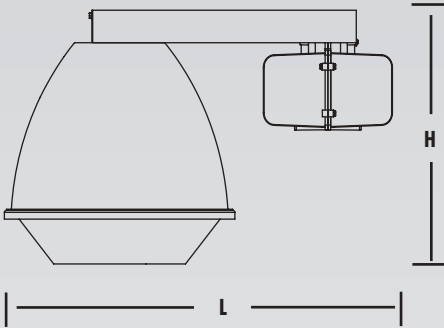


# Low Profile Mounting Options



LISTED FOR DAMP LOCATIONS  
CONSULT FACTORY FOR CUL AVAILABILITY

I.E.S. photometrics available by e-mail or on disk

Dimensions	Fixture Length	Fixture Height
JBM	29.2	16.5-19.5
JBR	30.3	16.8-19.8
JBL	33.4	18.8-21.8
JCS	30.8	17.0-20.0
JCL	33.6	17.0-20.0
JLS	30.3	16.5-19.5
JLM	33.3	18.6-21.6
JLL	34.8	18.6-21.6
LJS	30.3	19.75
LJM	33.4	21.0
LJL	37.4	18.25

The low profile series is designed for low mount application where reduced fixture height is important.

### Optics

Available in a variety of reflectors and acrylic refractors all with lens options and accessories.

### Ballast

The low profile design incorporates a cast aluminum ballast housing.

### Lamps

The Low Profile Series uses mogul base metal halide, super high output metal halide, Pulse Start metal halide and HPS lamps.

### Warranty

Warranted to be free of defects in materials and workmanship under normal use and service for a period of three (3) years from date of shipment. If found to be defective by us, we will replace the non-performing parts or goods.



To build catalog numbers refer to inside front cover

### 14", 16" & 22" Spun Aluminum – JB Series LOW PROFILE

Low profile option available only with Hook-Cord-Plug.  
– Change first (2) in ordering code to (5)

Example: (JBR2440 to JBR5440)

### 17" & 22" Faceted Reflector – JC Series LOW PROFILE

Low profile option available only with Hook-Cord-Plug.  
– Change first (2) in ordering code to (5)

Example: (JCS2440 to JCS5440)

### 16", 22" & 25" Prismatic Refractor – JL Series LOW PROFILE

Low profile option available only with Hook-Cord-Plug.  
– Change first (2) in ordering code to (5)

Example: (JLS2425 to JLS5425)

### LJS Series LOW PROFILE

Low profile option available only with Hook-Cord-Plug.  
– Change first (2) in ordering code to (5)

Example: Change (LJS2425 to LJS5425)

### LJM Series LOW PROFILE

Low profile option available only with Hook-Cord-Plug.  
– Change first (2) in ordering code to (5)


Example: Change (LJM2425 to LJM5425)

### LJL Series LOW PROFILE

Low profile option available only with Hook-Cord-Plug.  
– Change first (2) in ordering code to (5)

Example: Change (LJL2425 to LJL5425)

(a) Voltage Suffix Key: Indicate voltage in space (a)

Description							
120 Volt	277 Volt	208 Volt	240 Volt	480 Volt	Multi-tap	120 - 480V	
1	2	3	4	5	M	M5	
						tapped @ 277V	400W MH Only

(b) Options: Indicate options in space (b) (Factory Installed)

Description	SUFFIX
High-2-Low Option (175-1000W MH, 250-1000W MH/PS & 250 -1000W HPS) **	H
Fusing	
Single (120V & 277V)	F
Dual (208-240-480V)	J
Quartz Standby - Hot/Cold type	Q
Quartz Standby - Hot type	QN

Accessories: (Field Installed)

Catalog Number

Description	
Ballast/Reflector Safety Chain - 6'	SC-6
Wire Guards - Refer to pg. 134-135 for Reflector Options & Accessories	

## Low Profile Mounting Options

Wattage Range:  
200-400W  
Lamp Included



16" Spun Aluminum Low Profile Fixture  
JBR5\_\_ (a)(b)



17" Faceted Reflector Low Profile Fixture  
JCS5\_\_ (a)(b)



22" Prismatic Refractor Low Profile Fixture  
JLM5\_\_ (a)(b)



16" Low Profile Fixture  
LJS5\_\_ (a)(b)

22" Low Profile Fixture  
LJM5\_\_ (a)(b)

30" Low Profile Fixture  
LJL5\_\_ (a)(b)

