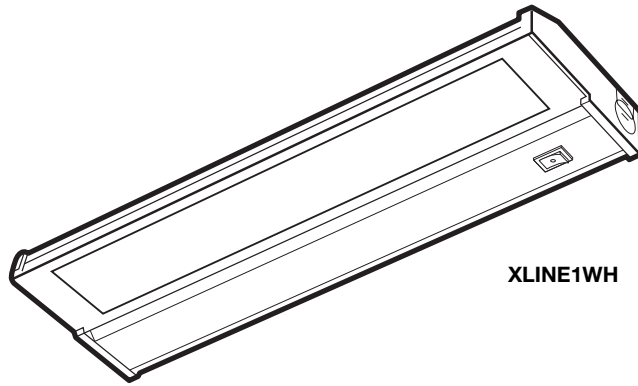


CATALOG NUMBER	TYPE

Line Voltage Xenon, Halogen Task XLINE, HLINE

8", 16", 24", 33"



XLINE1WH

FEATURES AND BENEFITS

- | | |
|--|--|
| 120 Volt Xenon and Halogen lamp(s) included | ➤ Produces dramatic bright white illumination that can be dimmed |
| | ➤ Xenon lamps (XLINE) last longer than halogen lamps |
| Low profile, architecturally pleasing, thermally efficient contoured housing in 3 finishes | ➤ Unobtrusive source of illumination that hides easily beneath the lip of most cabinets |
| | ➤ Fixture operates cooler maximizing lamp life |
| Prismatic glass lens in hinged steel door secured by spring latches | ➤ Lights surfaces evenly and can be conveniently accessed for safe and easy lamp replacement |
| Integral on and off switch with HI-LO settings | ➤ Select an appropriate light level for the task |

Housing: Architecturally contoured, die-formed, heavy gauge steel housing with color matched injection molded end caps for weight efficiency, consistency of finish and 1/8" mounting offset. Thermally efficient tapered front design and mounting offsets create airspace between fixture and mounting surface minimizing direct heat transfer while convective airflow circulates through and around the fixture keeping it cool. Available in 3 finishes; post-painted white enamel, satin nickel (plated) and bronze (plated). Plated finishes are available on XLINE only (Consult factory for availability on HLINE). Ample, large 7/8" knockouts provided on back, top and sides for through wiring, flex, Romex or rigid conduit.

Shielding: A clear, prismatic glass diffuser is held firmly in place in a hinged steel door that is secured by two spring latches. Glass, prismatic diffuser runs the length of the fixture to provide uniform illumination.

Illumination: 20 watt, 120 volt G8, xenon bipin lamp(s) are supplied with XLINE fixtures. Xenon lamps produce a concentrated, bright white light (165 lumens/lamp), operate cooler and at a lower pressure than halogen (average life for xenon and halogen lamps is 8000 and 2000 hrs, respectively). 35 watt, 120 volt G8 halogen bipin(s) are supplied with HLINE fixtures. Halogen lamps produce a concentrated, bright warm colored light (270 lumens/lamp).

Electrical: Line voltage fixture, fully wired for 120V, 60Hz AC operation, requires no transformer. Integral on and off switch with HI and LO settings. Fixture is pre-wired for direct hardwire connection. Direct wire units are fully dimmable with appropriate line voltage dimmer. Fixtures may be wired in parallel up to 640 watts. Consult factory for availability of portable units with 6' cord and plug. U.L. Listed.

Mounting: Surface mount, individually or in continuous rows. Mounts to surface through keyhole slots in housing base. Mounting hardware included.

Critical Application: SIMKAR strives to offer the most current product designs and value. Consequently, all SIMKAR products are subject to redesign and revision. Critical applications such as size, operating temperature, or sensor operation should be confirmed with the factory.

Warranty: 5 year-limited warranty excluding lamps.

	Length	Width	Depth
XLINE1, HLINE1	8"	4-3/4"	1-1/4"
XLINE2, HLINE2	16"	4-3/4"	1-1/4"
XLINE3, HLINE3	24"	4-3/4"	1-1/4"
XLINE4, HLINE4	33"	4-3/4"	1-1/4"

ORDERING INFORMATION

Example: XLINE1WH120V

120V

SERIES	LAMPS	FINISH	VOLTAGE
XLINE - Line Voltage Xenon Task	1 - (1) 20 watt, xenon lamp 2 - (2) 20 watt, xenon lamps 3 - (3) 20 watt, xenon lamps 4 - (4) 20 watt, xenon lamps	WH - Post-painted white BZ - Bronze (plated) SN - Satin Nickel (plated)	120V Standard
HLINE - Line Voltage Halogen Task	1 - (1) 35 watt, halogen lamp 2 - (2) 35 watt, halogen lamps 3 - (3) 35 watt, halogen lamps 4 - (4) 35 watt, halogen lamps	WH - Post-painted white only (consult factory for availability on other finishes)	Portable units – 6' cord and plug (consult factory for availability) XL20 - 20W, 120V Xenon replacement lamp HL35 - 35W, 120V Halogen replacement lamp



Line Voltage Xenon, Halogen Task 8", 16", 24", 33"

DRAWINGS AND DIMENSIONS

